

2" DEFLECTION SPRING HANGER WITH SUPPORT CUP AND NEOPRENE ELEMENT

File No. : ISOCS-IHBCE-2-100-1500

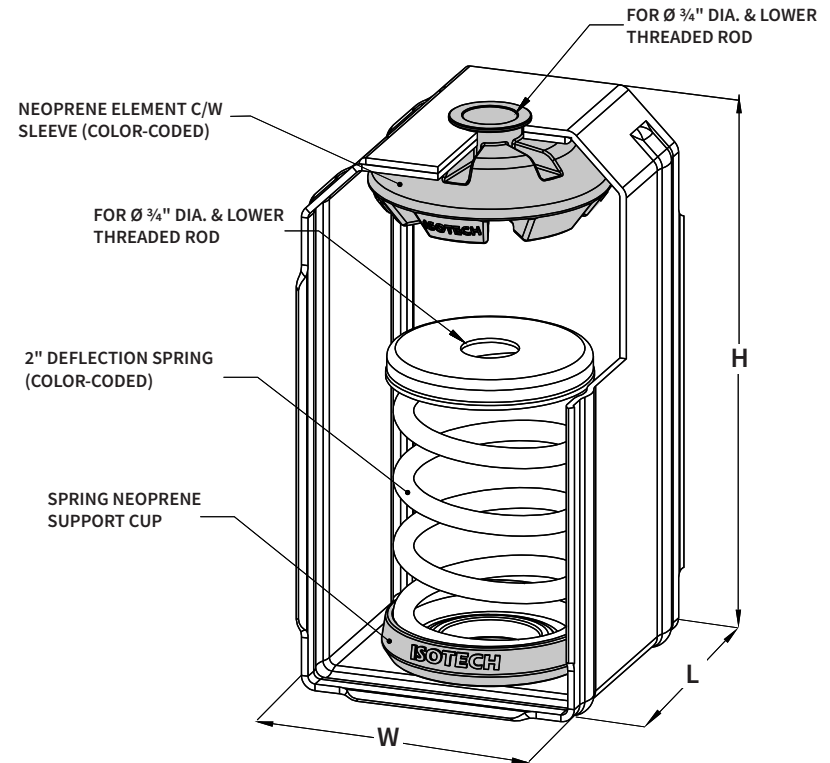
Date: 09/15/15

ISOIN-IHBCE-2-100-1500, Installation Instructions document, to be reviewed for installation

SPECIFICATIONS - 2" DEFLECTION SPRING HANGER WITH SUPPORT CUP AND NEOPRENE ELEMENT

Model	RATED LOAD		RATED DEFLECTION		SPRING COLOR	NEOPRENE ELEMENT COLOR	APPROX. WT.	
	Lbs.	KN	in	mm			Lbs.	Kg
IHBCE-2-100	100	0.445	2.0	50.8	GREY	RED	5.90	2.68
IHBCE-2-200	200	0.89	2.0	50.8	ORANGE		6.10	2.77
IHBCE-2-300	300	1.335	2.0	50.8	YELLOW	BLUE	6.20	2.82
IHBCE-2-400	400	1.78	2.0	50.8	GREEN		6.30	2.86
IHBCE-2-500	500	2.225	2.0	50.8	WHITE	BLACK	6.40	2.91
IHBCE-2-600	600	2.669	2.0	50.8	BLACK		6.40	2.91
IHBCE-2-800	800	3.559	2.0	50.8	RED	GREEN	6.60	3.01
IHBCE-2-1000	1000	4.449	2.0	50.8	BLUE	YELLOW	6.70	3.04
IHBCE-2-1500	1500	6.673	2.0	50.8	BROWN		6.80	3.07

HARDWARE NOT INCLUDED - HOUSING MATERIAL: GALVANIZED SHEET METAL- SPRING CUP: ZINC PLATED




Notes:

- Housing is designed to allow 30° misalignment for hanger rod
- Neoprene Element is designed to provide up to 0.35" deflection at rated load
- Springs are powder – coated for maximum corrosion protection, and are designed to have minimum 50% over travel
- All springs have additional travel to solid equal to 50% of the Rated Deflection with minimum Kx/Ky ratio of 1.0 - All Elements are safe at solid load
- Spring is supported by Neoprene cup to provide maximum efficiency on vibration

Dimension

2" DEFLECTION SPRING HANGER WITH SUPPORT CUP AND NEOPRENE ELEMENT

Model	H		W		L	
	in	mm	in	mm	in	mm
IHBCE-2-100-1500	8 ½	216	4 ¼	108	4 ¾	112

PROJECT INFORMATION		EQUIPMENT INFORMATION		Canada location	USA Location	
Customer:		Type:		35 Siltan Road Woodbridge ON L4L 7Z8 CANADA T: 905-856-5001	7700 Irvine Centre Drive Suite 800 Irvine, CA, 92618 U.S.A T: 949-788-2930	
Project:		Qty Required:				
Drawing No:		Operating Weight:				
Notes:				www.isotechindustries.com		

2" DEFLECTION SPRING HANGER WITH SUPPORT CUP AND NEOPRENE ELEMENT

File No. : ISOCS-IHBCE-100-1500

Date: 09/15/15

VERTICAL IN-LINE INSTALLATION DETAILS WITH IHBCE-100-1500- 2" DEFLECTION SPRING HANGER WITH NEOPRENE ELEMENT AND SPRING NEOPRENE CUP

EQUIPMENT TAG:

