

2" DEFLECTION SPRING HANGER IN LINE WITH NEOPRENE ELEMENT

File No. : ISOCS-IHBE-2-30-1500

Date: 09/15/15

ISOIN-IHBE-2-30-1500, Installation Instructions document, to be reviewed for installation

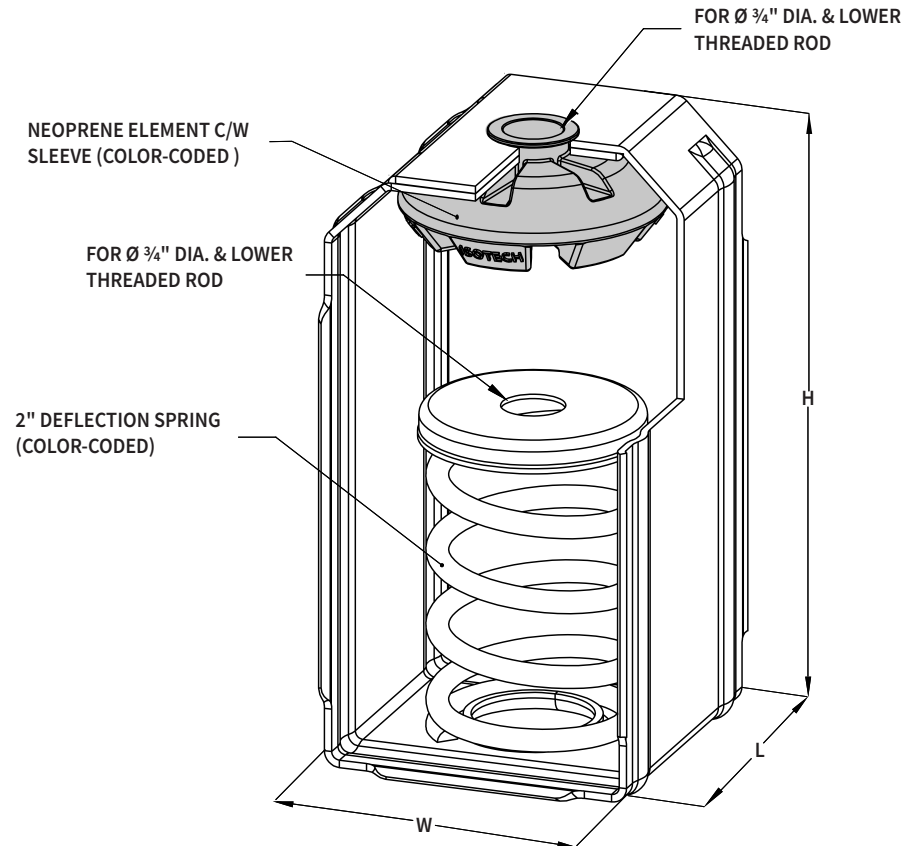
SPECIFICATIONS - 2" DEFLECTION SPRING HANGER IN LINE WITH NEOPRENE ELEMENT

Model	RATED LOAD		RATED DEFLECTION		SPRING COLOR	NEOPRENE ELEMENT COLOR	APPROX. WT.	
	Lbs.	KN	in	mm			Lbs.	Kg
IHBE-2-30	30	0.133	2.0	50.8	PINK	RED	4.15	1.88
IHBE-2-50	50	0.222	2.0	50.8	PURPLE		4.30	1.95
IHBE-2-100	100	0.445	2.0	50.8	GREY	RED	4.41	2.01
IHBE-2-200	200	0.89	2.0	50.8	ORANGE		4.58	2.08
IHBE-2-300	300	1.335	2.0	50.8	YELLOW	BLUE	4.65	2.11
IHBE-2-400	400	1.78	2.0	50.8	GREEN		4.80	2.18
IHBE-2-500	500	2.225	2.0	50.8	WHITE	BLACK	4.85	2.2
IHBE-2-600	600	2.669	2.0	50.8	BLACK		4.90	2.23
IHBE-2-800	800	3.559	2.0	50.8	RED	GREEN	5.13	2.33
IHBE-2-1000	1000	4.449	2.0	50.8	BLUE	YELLOW	5.20	2.36
IHBE-2-1500	1500	6.673	2.0	50.8	BROWN		5.25	2.39

HARDWARE NOT INCLUDED - HOUSING MATERIAL: GALVANIZED SHEET METAL- SPRING CUP: ZINC PLATED


Dimension 2" DEFLECTION SPRING HANGER IN LINE WITH NEOPRENE ELEMENT

Model	H		W		L	
	in	mm	in	mm	in	mm
IHBE-2-30-1500	8 ½	216	4 ¼	108	4 ¾	112



Notes:

- Housing is designed to allow 30° misalignment for hanger rod
- Neoprene Element is designed to provide up to 0.35" deflection at rated load
- Springs are powder - coated for maximum corrosion protection, and are designed to have minimum 50% over travel

PROJECT INFORMATION		EQUIPMENT INFORMATION		Canada location	USA Location	
Customer:		Type:		35 Siltan Road Woodbridge ON L4L 7Z8 CANADA T: 905-856-5001	7700 Irvine Centre Drive Suite 800 Irvine, CA, 92618 U.S.A T: 949-788-2930	
Project:		Qty Required:				
Drawing No:		Operating Weight:				
Notes:				www.isotechindustries.com		